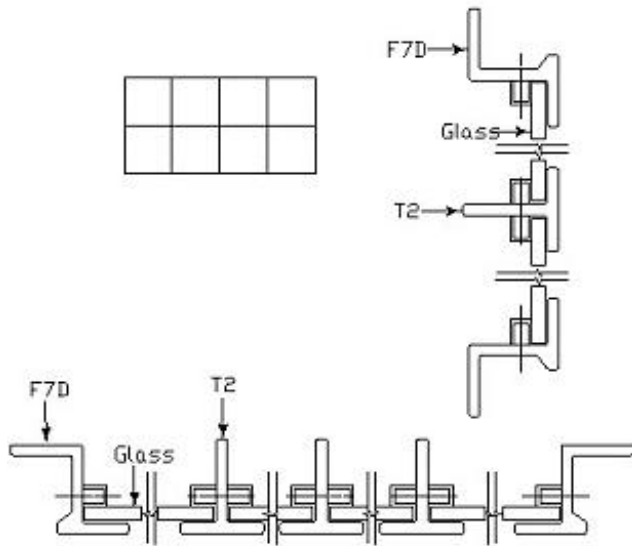
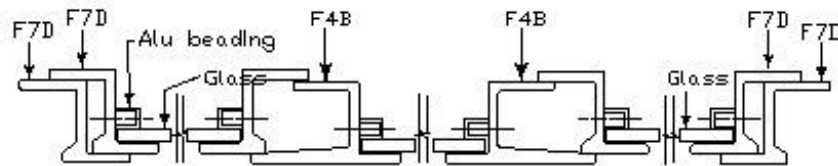
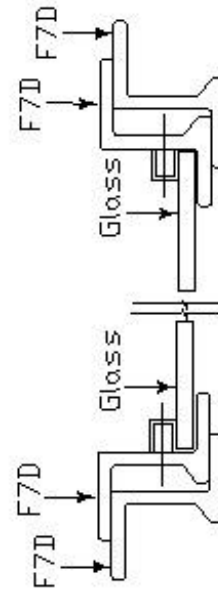
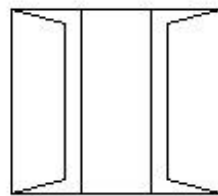
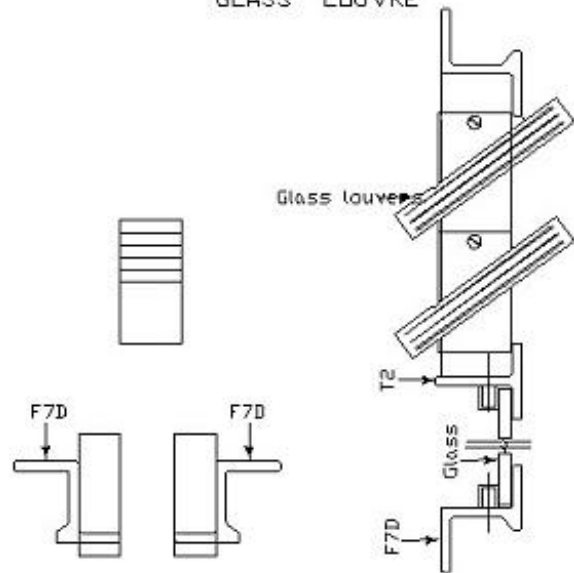


SECTIONAL DETAILS FOR STANDARD WINDOWS

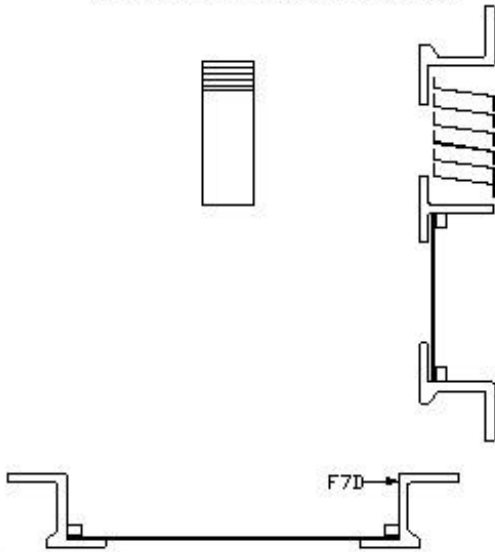
FIXED WINDOW



GLASS LOUVRE



DETAIL FOR STEEL PLATE LOUVRES



Agew Steel Manufacturing Pvt. Ltd.

506, Aniket Building, C. G. Road,
Ahmedabad 380009, INDIA

Ph: (91) (79) 6403774

Fax: (91) (79) 6407841

Email: agew@icenet.net

SIDE HUNG WINDOW

